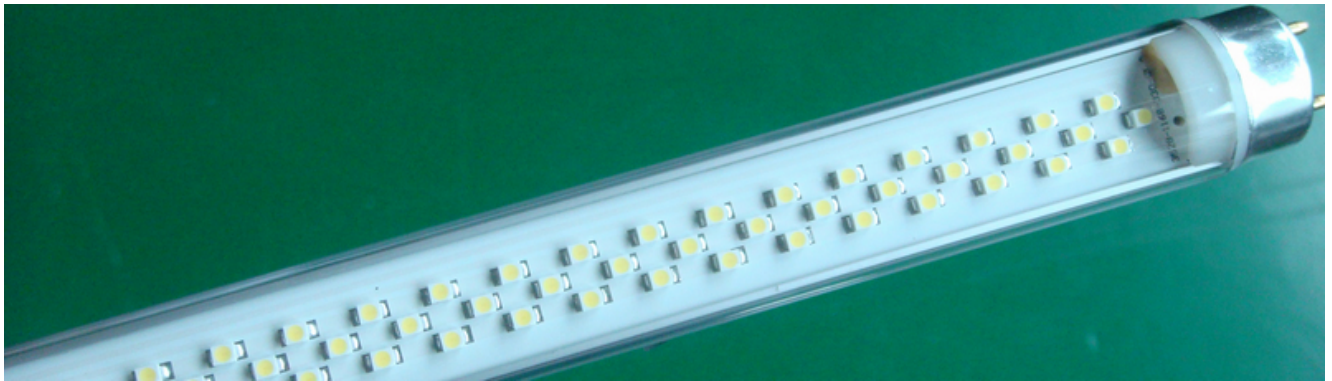




QT-T8-S3 LED Tube



The QT-T8-S3 LED Tube is a direct, drop-in replacement for standard fluorescent light tubes, utilizing clean, safe and long lasting LED Technology. LED tubes will be 55% Energy Savings, No fluorescent paint and gas contamination of premises, bypass Expensive Ballasts And Wire Direct.

Product Features

- Long Life, up to 50,000+ hours
- Significantly reduces maintenance costs
- Electricity consumption reduced 55%
- Vibration resistant, solid state electronic circuitry
- Internal TVS surge protection
- Low heat generation saves HVAC operating costs
- Safety Standard: CE & RoHS
- Operation Temperature: -20°C to 40°C
- White/Neutral White/Warm White/Other Color be optional
- PC Cover with White/Milk White/Colors be optional.

Applications:

Rapid and easy fluorescent to LED light conversions;

Lighting of retail spaces, warehouse spaces, office spaces, point of purchase;

Sign lighting; both channel letter and fixtures; Architectural lighting;

Mobile laboratories; Medical environments; Food Service environments;

Hard to reach place.



General Technical Specification

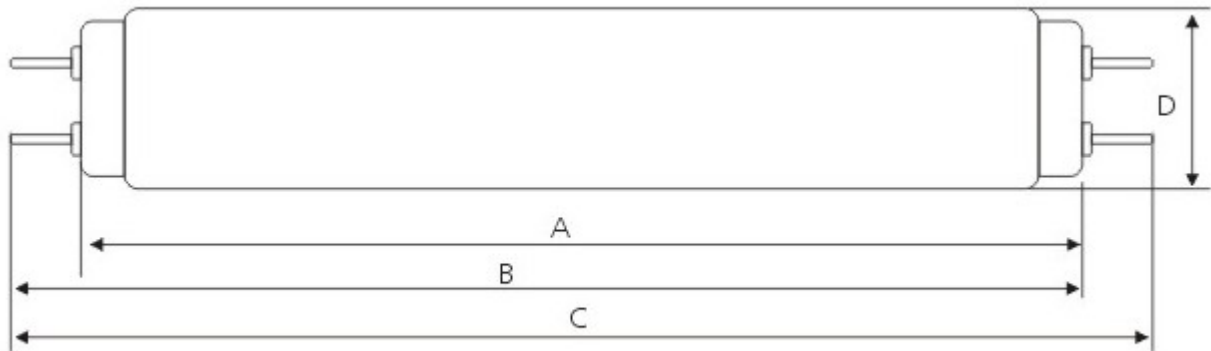
QT-T8-S3 Series LED Tube	
Diameter	26 mm
Power Supply	85-265 VAC
LED Type	SMD3528 LED
LED Efficiency	90-95 lm/Watt
Color Temperature	2700-7200 K
Color Rendering Index	>75 ra
Base Type	G13
Housing	Aluminum & Transparent PC
Working Temperature	-20 to +50 Degree Celsius
View Angle	120 Degree or 90 Degree

Length, Power and Luminous Flux Table

Part Number	Length	Power	LED Qty	Lumen Flux	Weight
QT-T8-S3-0344-05	344mm	5 Watt	72pcs	400lm	110g
QT-T8-S3-0602-06	602mm	6 Watt	108pcs	600lm	135g
QT-T8-S3-0602-08	602mm	8 Watt	144pcs	800lm	182g
QT-T8-S3-0602-09	602mm	9 Watt	171pcs	940lm	192g
QT-T8-S3-0906-10	906mm	10 Watt	189pcs	1025lm	251g
QT-T8-S3-1212-12	1212mm	12 Watt	216pcs	1200lm	295g
QT-T8-S3-1212-15	1212mm	15 Watt	276pcs	1500lm	304g
QT-T8-S3-1212-18	1212mm	18 Watt	330pcs	1800lm	317g
QT-T8-S3-1212-22	1212mm	22 Watt	384pcs	2100lm	346g
QT-T8-S3-1512-18	1512mm	18 Watt	300pcs	1750lm	327g
QT-T8-S3-1512-25	1512mm	25 Watt	432pcs	2400lm	440g
QT-T8-S3-2382-33	2382mm	33 Watt	600pcs	3300lm	686g



Dimension



Unit: mm

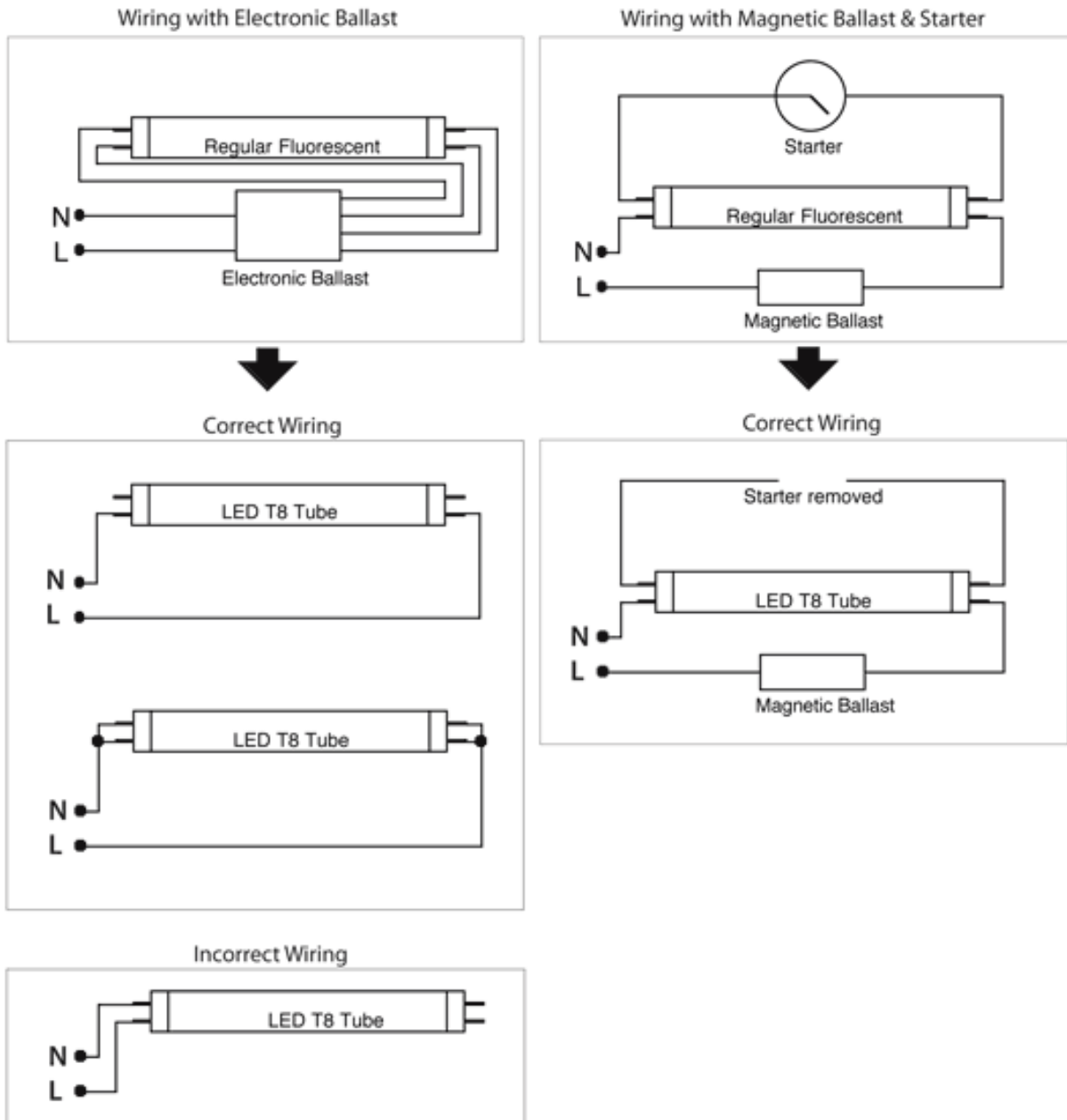
Part Number	A	B	C	D
QT-T8-S3-0344-05	230mm	237mm	344mm	26mm
QT-T8-S3-0602-06	588mm	595mm	602mm	26mm
QT-T8-S3-0602-08	588mm	595mm	602mm	26mm
QT-T8-S3-0602-09	588mm	595mm	602mm	26mm
QT-T8-S3-0906-10	892mm	899mm	906mm	26mm
QT-T8-S3-1212-12	1198mm	1205mm	1212mm	26mm
QT-T8-S3-1212-15	1198mm	1205mm	1212mm	26mm
QT-T8-S3-1212-18	1198mm	1205mm	1212mm	26mm
QT-T8-S3-1212-22	1198mm	1205mm	1212mm	26mm
QT-T8-S3-1512-18	1498mm	1505mm	1512mm	26mm
QT-T8-S3-1512-25	1498mm	1505mm	1512mm	26mm
QT-T8-S3-2382-33	2368mm	2375mm	2382mm	26mm

Wiring Direction

Ballast Compatibility:

Magnetic/inductive ballasts do not need to be removed. Only the starter (preheat lamp) needs to be removed from such fittings.

Electronic ballasts are not compatible with LED T8 tubes. DO NOT install the tube without removing / bypassing the electronic ballast as damage to the LED T8 tube may occur.



Do not install the tube before bypassing the electronic ballast / starter.



QiLED Lighting Co., Ltd is a leading company in designing and manufacturing the LED Light for years. QiLED main products are the LED Spotlight, LED Tube Light, LED Downlight & LED Grow Light for home, commercial and industry. And we also provide LED Light ODM/ODM Service on LED Spotlight, LED Tube Light, LED Downlight, LED Grow Light, LED Strip Light, LED Light Bar, etc.

In 2007, QiLED was founded in Shenzhen by a few lighting companies and a group of LED lighting engineers. After 2 years development, QiLED have already had a professional and experienced team to serve our clients and keep our LED Light products containing the leading technology. All of our products have CE & Rohs Certification. Especially, In 2009, Our LED Spotlight & LED Downlight passed UL Certification as well.

QiLED Conformed to ISO9001:2000 Quality Management System, All QiLED LED Light products have CE, RoHS Certifications, LED Spotlight & LED Downlight have UL Certification as well. Based on the professional design and development, we have already sold LED Spotlight & Other products to Europe, Australia, America and Other markets.

QiLED provides timely, reliable, accurate LED Light OEM/ODM. QiLED is located in Shenzhen that is the most advanced city in LED Light industry in the world. Experienced engineers, Excellent business team and Well-trained workers that let's understand your needs very well and quickly to reduce your time and money to market. Call us right now!

Contact US:

Website: www.qiled.com

Email: sales@qiled.com

Tel: +86-755-27450306

Add: Building 16th, Block 1st, Jiuweixin Village, Xixiang, Baoan, Shenzhen, China

P.C.: 518126